

Ultimate Day&Night Torpedo IR Camera

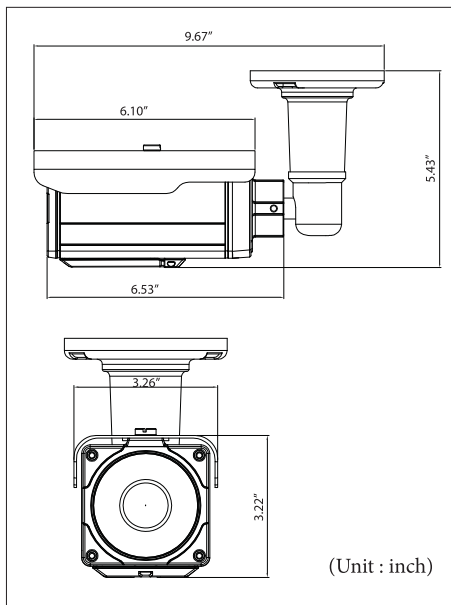
SENS 212WIR



Features

- High Resolution
(Color: 600 TV Lines, B/W: 700 TV Lines)
- 1/3" SONY High Sensitivity SUPER HAD CCD II
- New SENS DSP
- 2.8~12mm Auto Iris Vari-Focal Lens
- Weather Resistant Housing (IP66)
- Day & Night (Sens Up)
- Mechanically Switching IR cut filter
- Digital Noise Reduction (DNR)
- DC12V (1000mA) or AC 24V
(Dual Voltage Support)

Dimensions



Specifications

TV type	NTSC
Model Number	SENS212WIR
Image sensor	SONY High Sensitivity SUPER HAD CCD II
Effective Pixel	768 (H) X 494 (V)
Video system	NTSC TV System
Scanning system	580 Lines 2:1 Interlace
Scanning Frequency	15.734 [Khz] / 59.94 [Hz]
Shutter Speed	1/60 ~ 1/120,000 sec
Sync System	Internal Sync
Hi-Resolution	More than 600 TV Lines, B/W 700 TV Lines
S/N Ratio	52 [dB] / AGC Off
Min. Illumination	Color 0.00004 lux Min / 0 Lux (B/W LED's on, Max 200ft)
Gamma	0.45 Approx
CCD Level Control	ALC (auto iris lens control)
Gain control	High/Middle/ Low/ Off (Selectable)
Sen-Up	Off/Auto (Selectable limit x2 ~ x256)
3 DNR	On/Off
D-WDR	OFF/INDOOR/OUTDOOR
BLC	OFF/BLC/ HSBLC
Sharpness	Level Adjustable
Privacy Zone	Off / On [8 Zones]
Mirror	Off / On [H - Rev / V - Rev]
White Balance	ATW / AWB / AWC-SET/ Manual / Indoor (4500 'K ~ 8,500 'K) Outdoor (1800 'K ~ 10,500 'K)
C.video Output	VBS 1.0 Vp -p / 75ohm Video : 0.7Vp-p / Sync : 0.3Vp-p / Burst : 0.3Vp-p
IR Range	200 FT Max with LED Beam setting on "High"
LENS	Vari-focal Lens (2.8mm ~ 12mm)
Power	Dual Voltage: 12V DC 1.5A +/- 10% / 24V AC Max. 1.5 A when LED on
Operating Temp.	-10°C ~ +50°C
Dimension	3.27" x3.23" x 6.54mm
Weight	Net : 2.86 lbs
Outside Control	Far - Near control lever Tele - Wide control lever LED ON Lux Select DIP SW LED Beam Low/Hi Select DIP SW OSD Control buttons Ex
Min/Lux	0.005 Lux(Color) 0.00004 Lux (B/W)



Resolution



Auto Iris



Vari-focal



Infrared



Day & Night



IP66 Weather-Proof



3D NR



Wide Dynamic



OSD Menu



Dual Voltage



AVS Uriel systems Inc. www.avssys.net | www.avsipcctv.com

VA office
13882 Park Center Rd Herndon, VA 20171
Toll: 1-(800) 691-1034 Phone: (571) 490-8321
Fax: (571) 490-8328

CA office
20620 S.Leapwood Ave Suite # G Carson, CA 90746
Phone: (310) 515-9555
Fax: (310) 515-9955